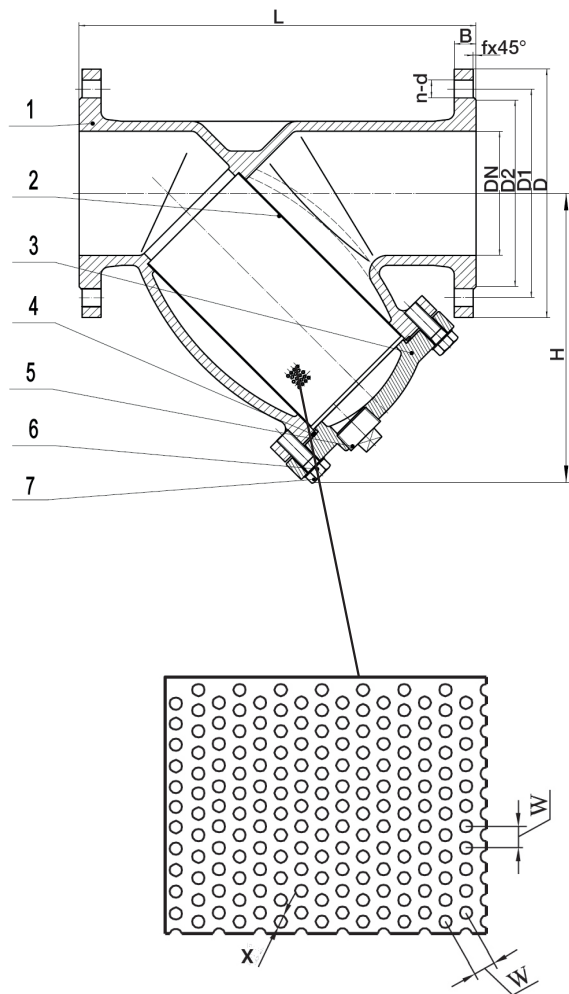


PN16 Cast Iron "Y" Strainer

Features

- Flange Mounting PN16 Only
- BS EN 558-1 Series 1
- DN50 & DN65 Square Drain Port
- DN80 - DN600 Circular Drain Port
- Fusion Bonded Epoxy Coat Finish
- DN50 - DN300 WRAS Approved
- DN350 - DN600 WRAS Approved Coating



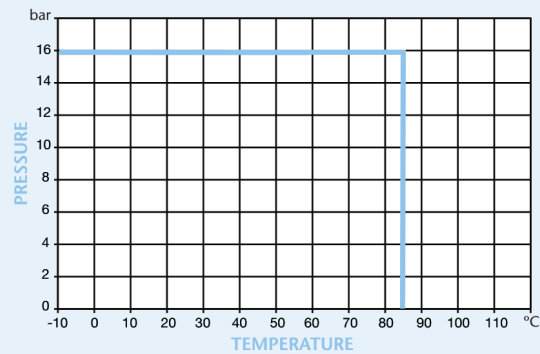
Technical Data

Maximum Pressure 16 Bar
 Working Temperature -10°C to +85°C

Dimensions in mm

This data sheet is designed as a guide and should not be regarded as wholly accurate in every detail. We reserve the right to amend the specification of any product without notice.

Pressure/Temperature



DN	50	65	80	100	125	150	200	250	300	350	400	450	500	600
L	230	290	310	350	400	480	600	730	850	980	1100	1200	1250	1450
D	165	185	200	220	250	285	340	405	460	520	580	640	715	840
D1	125	145	160	180	210	240	295	355	410	470	525	585	650	770
D2	99	118	132	156	184	211	266	319	370	429	480	548	609	720
B	20	20	22	24	26	26	30	32	32	36	38	40	42	48
f	3	3	3	3	3	3	3	3	4	4	4	4	4	5
n-d	4-19	4-19	8-19	8-19	8-19	8-23	12-23	12-28	12-28	16-28	16-31	20-31	20-34	20-37
H	158	176	199	240	292	320	399	517	568	642	750	784	857	980
X	1.5	1.5	1.5	1.5	1.5	1.5	1.5	1.5	1.5	1.5	1.5	1.5	1.5	1.5
W	2.5	2.5	2.5	2.5	2.5	2.5	2.5	2.5	2.5	2.5	2.5	2.5	2.5	2.5
kgs	10.1	14	20.3	26.6	39.8	57	97	164	234	312	442	560	652	1072

N.	Part Name	Materials
1	Body	Cast Iron - BS EN1561 EN-GJL250
2	Screen	Stainless Steel - BS970 304S15
3	Bonnet	Cast Iron - BS EN1561 EN-GJL250
4	Gasket	EPDM
5	Screw Plug	Cast Brass - BS2874 CZ122
6	Bolt	Stainless Steel
7	Washer	Stainless Steel