

INTA WONDER VALVES

Introduction

The isolation valves allow precise control of the amount of water delivered to the outlet. It's designed to accept a flow regulating cartridge that can be inserted in seconds. This gives it the edge over any other method of water control.

- Combined isolating ball valve and flow regulator
- Water saving - flow regulating options 3 - 18 litres per minute

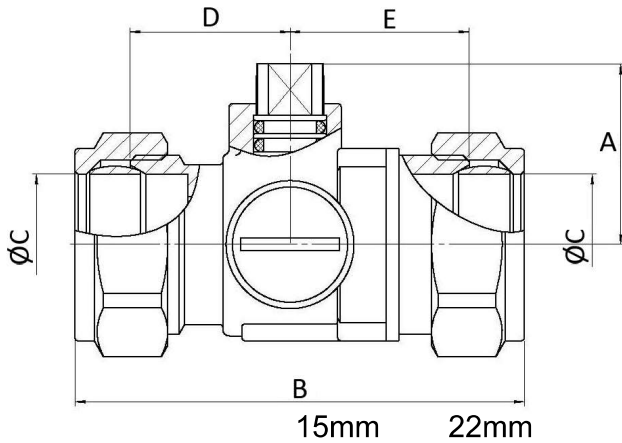
Product Range

Description	Code
15mm Isolating ball valve with 3 litre/min flow regulator - red cartridge	CP961R03XC15
15mm Isolating ball valve with 4 litre/min flow regulator - grey cartridge	CP961R04XC15
15mm Isolating ball valve with 6 litre/min flow regulator - black cartridge	CP961R06XC15
15mm Isolating ball valve with 8 litre/min flow regulator - white cartridge	CP961R08XC15
15mm Isolating ball valve with 10 litre/min flow regulator - blue cartridge	CP961R10XC15
15mm Isolating ball valve with 12 litre/min flow regulator - orange cartridge	CP961R12XC15
15mm Isolating ball valve with 15 litre/min flow regulator - lime cartridge	CP961R15XC15
15mm Isolating ball valve with 18 litre/min flow regulator - green cartridge	CP961R18XC15
22mm Isolating ball valve with 3 litre/min flow regulator - red cartridge	CP961R03XC22
22mm Isolating ball valve with 4 litre/min flow regulator - grey cartridge	CP961R04XC22
22mm Isolating ball valve with 6 litre/min flow regulator - black cartridge	CP961R06XC22
22mm Isolating ball valve with 8 litre/min flow regulator - white cartridge	CP961R08XC22
22mm Isolating ball valve with 10 litre/min flow regulator - blue cartridge	CP961R10XC22
22mm Isolating ball valve with 12 litre/min flow regulator - orange cartridge	CP961R12XC22
22mm Isolating ball valve with 15 litre/min flow regulator - lime cartridge	CP961R15XC22
22mm Isolating ball valve with 18 litre/min flow regulator - green cartridge	CP961R18XC22

**gives control
and water saving**



INTA WONDER VALVES



A (mm)	28.2	28.2
B (mm)	65.8	70.2
C (mm)	15.0	22.0
D (mm)	23.0	25.0
E (mm)	27.0	28.0
Rating	PN16	PN16
Weight (kg)	0.180	0.220

MATERIALS	
Access Port Cap:	Nickel Plated Brass DZR CW602N
Ball:	Hard Chrome Plated Brass CW617N
Body:	Nickel Plated Brass DZR CW602N
End Cap:	Nickel Plated Brass CW602N
Stem:	Nickel Plated Brass CW617N
O-Rings:	EPDM
Seal:	PTFE

Optimum Pressure Range: 0.2 - 10 Bar (Accuracy +/- 10% Open Outlet)

Optimum Pressure Range (Low): 0.2 - 4 Bar (Accuracy +/- 15% Open Outlet)

Optional Lever Operator: Black Blue or Red



E&OE
08/2012

AIRFIELD INDUSTRIAL ESTATE, HIXON, STAFFORD, ST18 0PF
T. 01889 272180 F. 01889 272181 E. SALES@INTATEC.CO.UK
WWW.INTATEC.CO.UK

Pressure and temperature ratings are minimum and maximum values only and actual performance will be dependant upon application.
All images on this page are for guidance only. E OE. We reserve the right to amend specifications prices products without prior notification